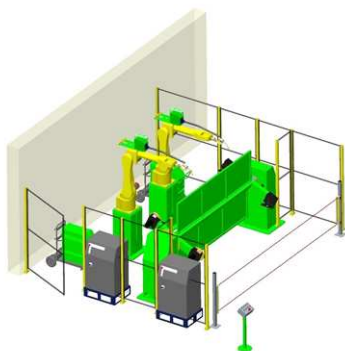
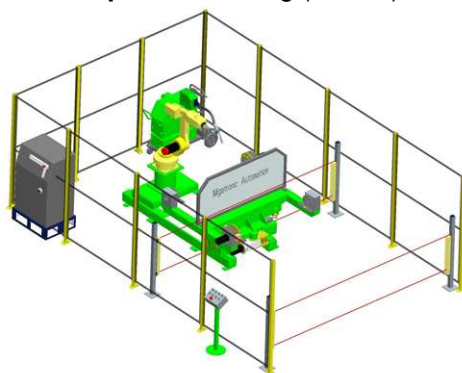


Migatronic Automation A/S has made a further development of the RoBox concept for welding automation, and now the series comprises a number of modules. With these options the possibilities of combination are almost infinite, and the robot cell may be adapted and extended entirely according to your requests. The cells may be supplied with MIG, TIG, Plasma and spot welding equipment.

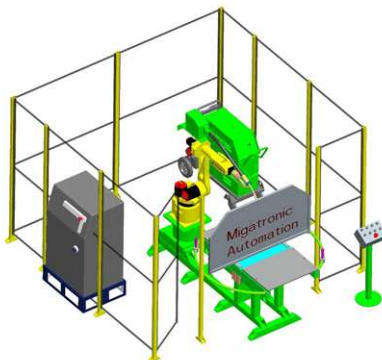
**Robot:** ArcMate100 / 120 or 120/10L  
**Manipulator:** 250 / 500 or 1000 kg



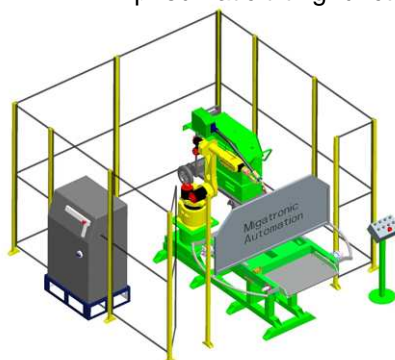
**Robot:** ArcMate100 / 120 or 120/10L  
**Manipulator:** 250 kg (narrow)



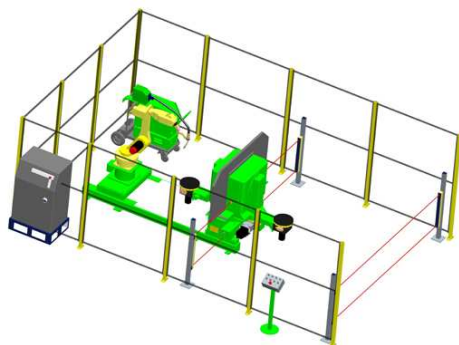
**Robot:** ArcMate100  
**Manipulator:** Manual positioner - 75 kg



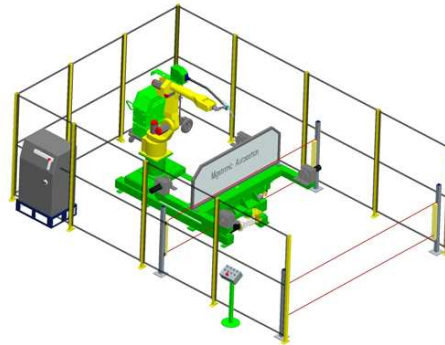
**Robot:** ArcMate100  
**Manipulator:** Manual positioner with pneumatic tilting function



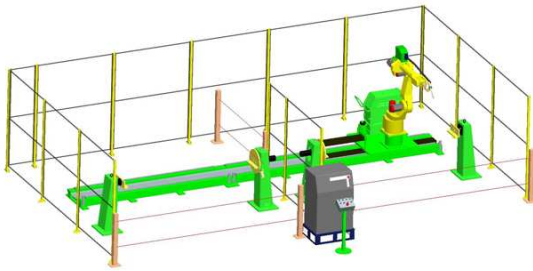
**Robot:** ArcMate100 / 120 or 120/10L  
**Manipulator:** 250 kg



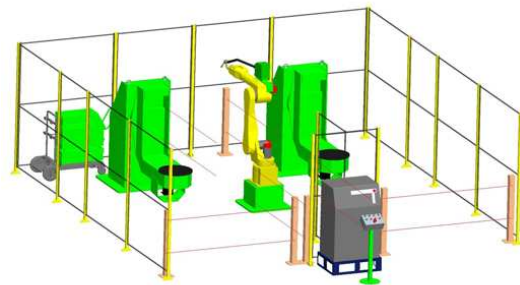
**Robot:** ArcMate 100 / 120 or 120/10L  
**Manipulator:** 250 kg (wide)



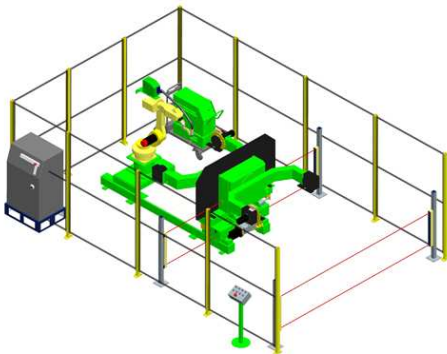
**Robot:** ArcMate100 / 120 / 120/10L or M710/20L  
**Manipulator:** 250 / 500 / 1000 / 2000 / 3000 / 5000 kg



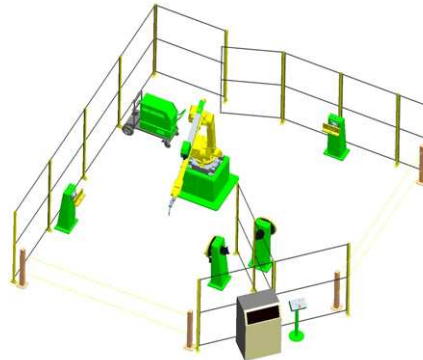
**Robot:** ArcMate100 / 120 / 120/10L  
**Manipulator:** 250 – 500 kg



**Robot:** ArcMate100 / 120 or 120/10L  
**Manipulator:** 250 kg



**Robot:** ArcMate120/10L or M710/20L  
**Manipulator:** 250 / 500 / 1000 kg



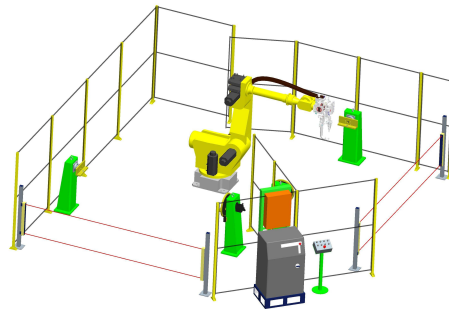
### Robot in a BOX



### Spot welding

**Robot:** R2000iB/165 F

**Manipulator:** May be combined with the entire RoBox product range



**Please dial ☎ +45 9696 2700 for further information.**